
J-Head™ Farmer

Description:

The J-Head™ hotends have been a favorite among professionals and enthusiasts alike since 2011. With its innovative designs and low part count, there are few if any points of failure in a Genuine J-Head™ hotend. With its vertical heater cartridge, J-Head™ Farmer hotends are faster than ever. With the all new J-Head™ Farmer we've focused on bringing down the maintenance issues plaguing 3D printing today, without sacrificing the quality we are known for at hotends.com.

Features:

- Easily print with temperatures above 300°C
- 1.75mm Filament
- Seamless filament path ensures no leaks
- J-Head™ m3 Thermistor for ease of installation
- Direct Drive/Universal top with Bowden Aglet™
- Heater cartridge for ease of installation
- High speed
- Compact
- Ultra-lite
- Long melt chamber

Applications:

- Additive manufacturing (3D printing)
- Fused Filament Fabrication (FFF)
- For use with filaments - PLA, ABS, PETG, TPU, NYLON, ASA + more

Device Information:

Type	Size (mm)
Direct-Drive/Universal	(L) 55.0

Nozzle Diameters (mm)
0.40 (stock) swappable with any size

Heater Cartridge Voltage
12v, 24v

Filament Diameter (mm)
1.75

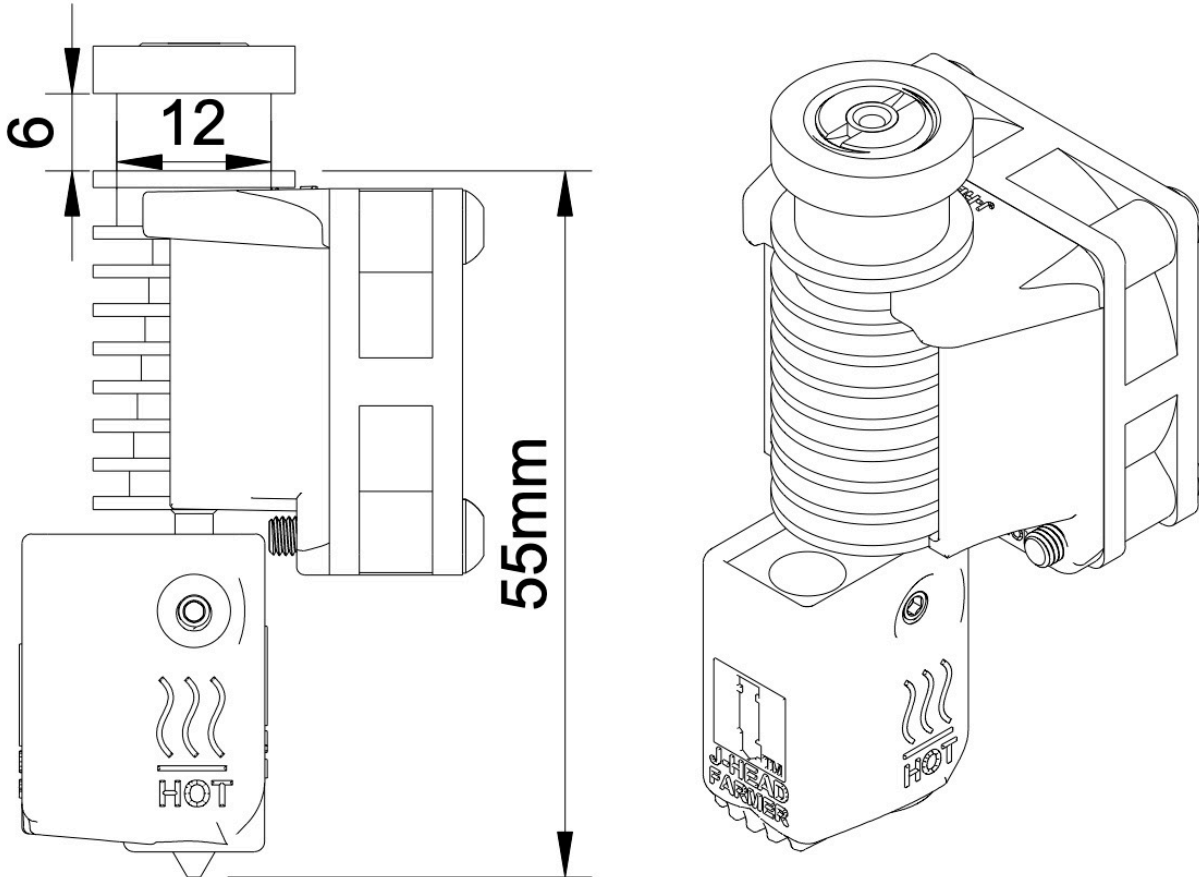
TABLE OF CONTENTS

1. Mechanical Drawings
 2. Revision History
 3. Limiting values
 4. Recommended Printing Temperatures
 5. Application and Implementation
 - 5.1. Components
 6. Installation
 7. Trademarks
 8. Notice
-



NOTICE - The end of this data sheet addresses use in safety-critical applications, intellectual property matters and other important disclaimers.

1: Mechanical Drawings:




***shown with direct drive adapter**

2: Revision History:

Revision 1.0

- Added initial information to datasheet

 NOTICE - The end of this data sheet addresses use in safety-critical applications, intellectual property matters and other important disclaimers.

3: Limiting Values:

At room temperature (unless otherwise noted)

Symbol	Parameter	Type	Min	Max	Unit
Vcc	Supply Voltage	12v	11	13	V
Vcc	Supply Voltage	24v	22	26	V

4: Recommended Printing Temperatures

Common thermoplastics printed with Genuine J-Head™ hotends.

Filament	Min	Max	Unit
PLA	190	220	°C
ABS	235	250	°C
PETG	240	250	°C
NYLON	240	250	°C
TPU	220	240	°C
ASA	240	250	°C

5: Application and Implementation

NOTE

Information in the following applications sections is not part of the J-Head specification, and Hotends LLC does not warrant its accuracy or completeness. Hotends LLC's customers are responsible for determining suitability of components for their purposes. Customers should validate and test their design implementation to confirm system functionality.

5.1: Components

Type	Type	Watts	Ohms
Thermistor	NTC 3950 1% 100K		
Heater Cartridge	12v	40	3.6
Heater Cartridge	24v	40	14.4



NOTICE - The end of this data sheet addresses use in safety-critical applications, intellectual property matters and other important disclaimers.

6: Installation

- Insert the M3 stud thermistor into the threaded hole on the side of the heater block.
- Mount to the carriage with the mounting groove.
 - ◆ For bowden setups: see Aglet™ installation instructions
- Plug in heater cartridge and thermistor and enjoy!

7: Trademarks

All trademarks are the property of their respective owners.



NOTICE - The end of this data sheet addresses use in safety-critical applications, intellectual property matters and other important disclaimers.

8: Notice

Hotends LLC reserves the right to make corrections, enhancements, improvements and other changes to its products and services. Buyers should obtain the latest relevant information before placing orders and should verify that such information is current and complete.

Reproduction of significant portions of Hotends LLC information in Hotends LLC data sheets is permissible only if reproduction is without alteration and is accompanied by all associated warranties, conditions, limitations, and notices. Hotends LLC is not responsible or liable for such reproduced documentation. Information of third parties may be subject to additional restrictions. Resale of Hotends LLC products or services with statements different from or beyond the parameters stated by Hotends LLC for that product or service voids all express and any implied warranties for the associated Hotends LLC product or service and is an unfair and deceptive business practice. Hotends LLC is not responsible or liable for any such statements.

Buyers and others who are developing systems that incorporate Hotends LLC products (collectively, “Designers”) understand and agree that Designers remain responsible for using their independent analysis, evaluation and judgment in designing their applications and that Designers have full and exclusive responsibility to assure the safety of Designers’ applications and compliance of their applications (and of all Hotends LLC products used in or for Designers’ applications) with all applicable regulations, laws and other applicable requirements. Designer represents that, with respect to their applications, Designer has all the necessary expertise to create and implement safeguards that (1) anticipate dangerous consequences of failures, (2) monitor failures and their consequences, and (3) lessen the likelihood of failures that might cause harm and take appropriate actions. Designer agrees that prior to using or distributing any applications that include Hotends LLC products, Designer will thoroughly test such applications and the functionality of such Hotends LLC products as used in such applications.

Hotends LLC’s provision of Hotends LLC Resources does not expand or otherwise alter Hotends LLC’s applicable published warranties or warranty disclaimers for Hotends LLC products, and no additional obligations or liabilities arise from Hotends LLC providing such Hotends LLC Resources. Hotends LLC reserves the right to make corrections, enhancements, improvements and other changes to its Hotends LLC Resources. Hotends LLC has not conducted any testing other than that specifically described in the published documentation for a particular Hotends LLC Resource.

Hotends LLC RESOURCES ARE PROVIDED “AS IS” AND WITH ALL FAULTS. Hotends LLC DISCLAIMS ALL OTHER WARRANTIES OR REPRESENTATIONS, EXPRESS OR IMPLIED, REGARDING RESOURCES OR USE THEREOF, INCLUDING BUT NOT LIMITED TO ACCURACY OR COMPLETENESS, TITLE, ANY EPIDEMIC FAILURE WARRANTY AND ANY IMPLIED WARRANTIES OF MERCHANTABILITY, FITNESS FOR A PARTICULAR PURPOSE, AND NON-INFRINGEMENT OF ANY THIRD PARTY INTELLECTUAL PROPERTY RIGHTS. Hotends LLC SHALL NOT BE LIABLE FOR AND SHALL NOT DEFEND OR INDEMNIFY DESIGNER AGAINST ANY CLAIM, INCLUDING BUT NOT LIMITED TO ANY INFRINGEMENT CLAIM THAT RELATES TO OR IS BASED ON ANY COMBINATION OF PRODUCTS EVEN IF DESCRIBED IN Hotends LLC RESOURCES OR OTHERWISE. IN NO EVENT SHALL Hotends LLC BE LIABLE FOR ANY ACTUAL, DIRECT, SPECIAL, COLLATERAL, INDIRECT, PUNITIVE, INCIDENTAL, CONSEQUENTIAL OR EXEMPLARY DAMAGES IN CONNECTION WITH OR ARISING OUT OF Hotends LLC RESOURCES OR USE THEREOF, AND REGARDLESS OF WHETHER Hotends LLC HAS BEEN ADVISED OF THE POSSIBILITY OF SUCH DAMAGES.

Where Hotends LLC specifically promotes products as facilitating functional safety or as compliant with industry functional safety standards, such products are intended to help enable customers to design and create their own applications that meet applicable functional safety standards and requirements. Using products in an application does not by itself establish any safety features in the application. Designers must ensure compliance with safety-related requirements and standards applicable to their applications.

Designer will fully indemnify Hotends LLC and its representatives against any damages, costs, losses, and/or liabilities arising out of Designer’s non-compliance with the terms and provisions of this Notice.



NOTICE - The end of this data sheet addresses use in safety-critical applications, intellectual property matters and other important disclaimers.